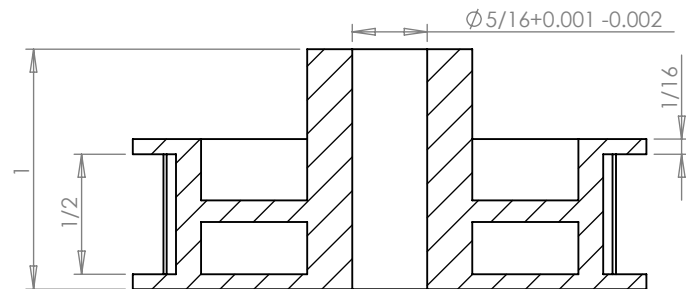
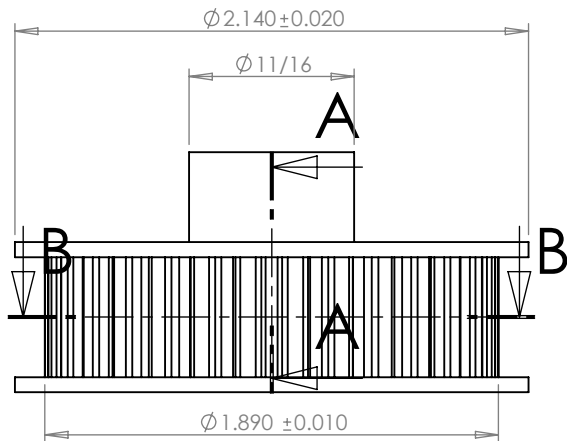
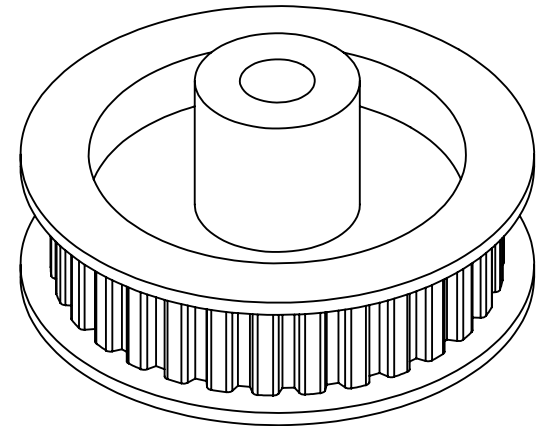


SECTION B-B



SECTION A-A

**PLASTOCK**®  
 Manufactured by Putnam Precision Molding

Part Number:  
**30XLDF**

www.plastock.biz  
 © 2010 Putnam Precision Molding

Part Description:  
 1/5" Pitch (XL) Delrin Timing Belts  
 Pulleys For Belts up to 3/8" Wide

Dimensions are in inches  
 Tolerances:  
 Fractional ± 0.015

**PROPRIETARY AND CONFIDENTIAL :** THE INFORMATION CONTAINED IN THIS DRAWING IS THE SOLE PROPERTY OF PUTNAM PRECISION MOLDING. ANY REPRODUCTION IN PART OR AS A WHOLE WITHOUT THE WRITTEN PERMISSION OF PUTNAM PRECISION MOLDING IS PROHIBITED. INFORMATION IN THIS DRAWING IS PROVIDED FOR REFERENCE ONLY.